



**Hartson
Kennedy**
est. 1948

ULTRA-TOP

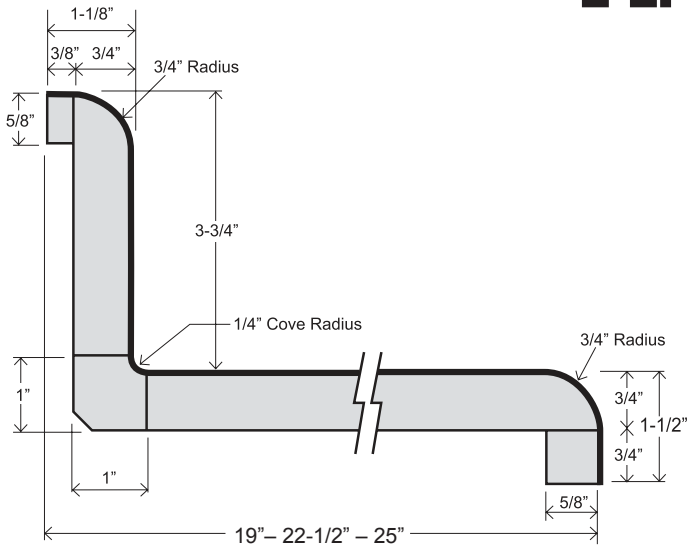
WATERFALL

SOUTHERN FRONT

Specification FOR PLYWOOD

FEATURES

- 19mm plywood core
- 3/4" radius front nose, 1-1/2" thick
- 1/4" cove radius for easy cleaning
- Featuring MDF 1" x 1" cove molding
- 3/8" MDF scribe for fitting out-of-square walls
- 5/8" front build-up for nesting on cabinet installation
- Kitchen and vanity tops feature 3-3/4" backsplash
- All bars feature 3/4" roll radius both sides
- Flat deck tops have 3/4" roll front radius, unfinished back side
- Available with 1/4" front build-up for floating countertop installation (as shown on last illustration)

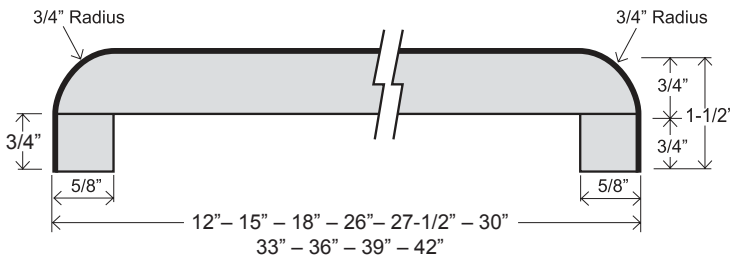


KITCHEN & VANITY TOP

WFV 19
WFV 22-1/2
WFK 25

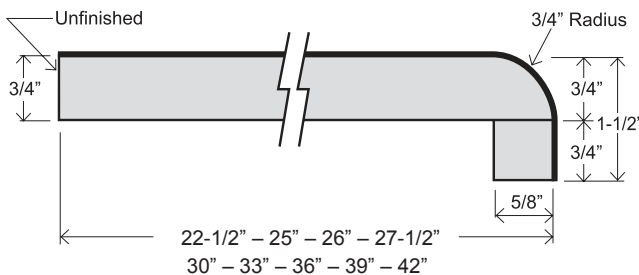
BAR TOP

WFB 12
WFB 15
WFB 18
WFB 26
WFB 27-1/2
WFB 30
WFB 33
WFB 36
WFB 39
WFB 42



FLAT DECK TOP

WFF 22-1/2
WFF 25
WFF 26
WFF 27-1/2
WFF 30
WFF 33
WFF 36
WFF 39
WFF 42



hk | Hartson-Kennedy Inc.

CORPORATE HEADQUARTERS

522 W. 22nd Street
Marion, IN 46953
Phone: (765) 668-8144 . Fax: (765) 662-3452

GULFPORT, MS

10115 Lorraine Road
Gulfport, MS 39503
Phone: (228) 896-1548 . Fax: (228) 896-5905

MACON, GA

4255 Interstate Drive
Macon, GA 31210
Phone: (478) 474-0266 . Fax: (478) 477-7689

Visit our website:

www.hartson-kennedy.com

