

# ULTRA-TOP

NO-DRIP 25-1/4"  
1-1/2" FRONT NOSE

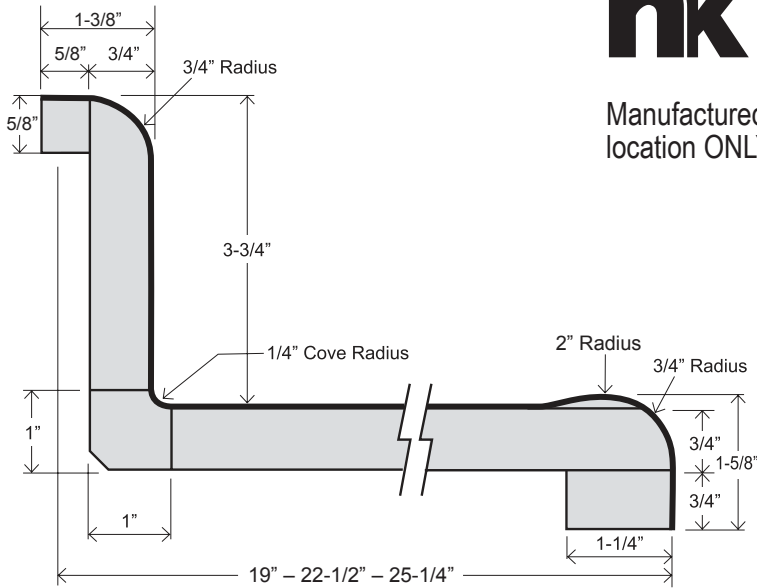


Manufactured at Marion, Indiana  
location ONLY

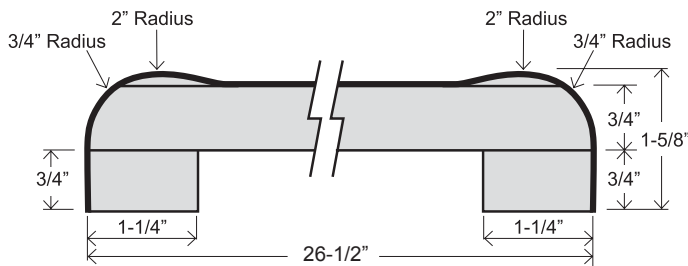
Specification  
FOR PLYWOOD

## FEATURES

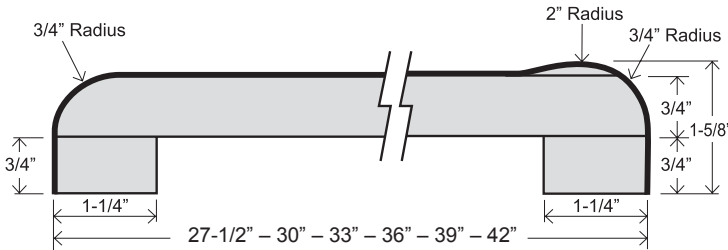
- 19mm plywood core
- No-drip front nose, 1-1/2" thick
- 1/4" cove radius for easy cleaning
- Featuring MDF 1" x 1" cove molding
- 5/8" MDF scribe for fitting out-of-square walls
- 1-1/4" front build-up for floating countertop installation
- Kitchen and vanity tops feature 3-3/4" backsplash
- 26-1/2" standard bars are no-drip both sides
- Wide bars are no-drip one side with 3/4" roll radius back side
- Flat deck tops have no-drip front nose, unfinished back side



**KITCHEN & VANITY TOP**  
UFV 19  
UFV 22-1/2  
UFK 25-1/4

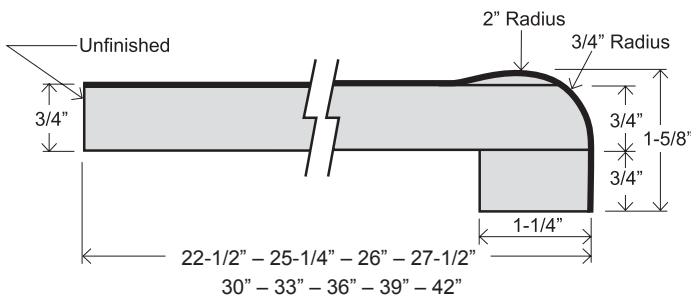


**BAR TOP**  
UFB 26-1/2



**BAR TOP**  
UFB 27-1/2  
UFB 30  
UFB 33  
UFB 36  
UFB 39  
UFB 42

**NOTE: 12", 15", 18" Available in Waterfall style**



**FLAT DECK TOP**  
UFF 22-1/2  
UFF 25-1/4  
UFF 26  
UFF 27-1/2  
UFF 30  
UFF 33  
UFF 36  
UFF 39  
UFF 42



## CORPORATE HEADQUARTERS

522 W. 22nd Street  
Marion, IN 46953  
Phone: (765) 668-8144 . Fax: (765) 662-3452

## GULFPORT, MS

10115 Lorraine Road  
Gulfport, MS 39503  
Phone: (228) 896-1548 . Fax: (228) 896-5905

## MACON, GA

4255 Interstate Drive  
Macon, GA 31210  
Phone: (478) 474-0266 . Fax: (478) 477-7689

Visit our website:

[www.hartson-kennedy.com](http://www.hartson-kennedy.com)

