



Technical data sheets and other relevant guidelines for FENIX® are available to download from the FENIX® website www.fenixforinteriors.info

INTRODUCTION

Solid 12mm FENIX NTM® countertops require no treatment prior to fitting and no specialist equipment for installation. This guide is designed to provide you with all the information you require to install and care for your new Solid 12mm FENIX NTM® countertop and to help you keep the surface in pristine condition. Please take the time to thoroughly read this guide before commencing installation as failure to follow it will result in invalidating your warranty.

IMPORTANT

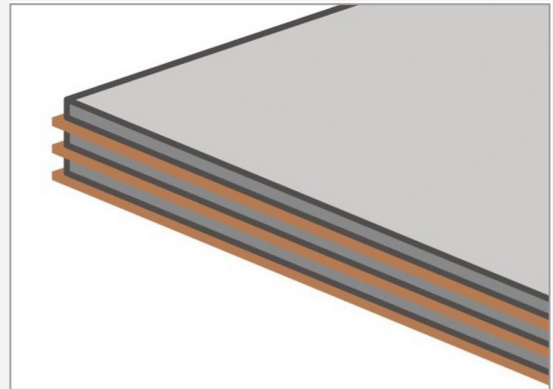
Solid 12mm FENIX NTM® countertops are supplied in shrink-wrapped packaging. Do not discard any of the packaging supplied until you have fully inspected your countertop prior to installation for damages or defects and to ensure you have received the right decor and specification. An installed countertop will be seen as having been inspected and no liability will be accepted for its removal and/or replacement. Please remove the protective films on both sides of the countertop prior to fitting. Please retain these instructions for future reference. Whenever cutting, always double check measurements before proceeding.

STORAGE

Solid 12mm FENIX NTM® countertops require no treatment prior to installation, so we recommend they are fitted as soon as possible following delivery. Should this be impractical, we advise that your countertops are stored flat, face up and supported through their entire length. If you have more than one countertop that needs storing and wish to stack them, please ensure that the surfaces are clean and clear from any debris as there is the potential that this could cause damage through abrasion. We suggest using a layer of cardboard between boards.

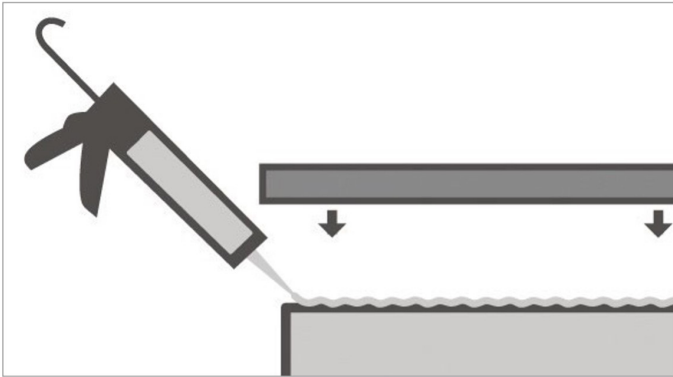
DO NOT UNPACK COUNTERTOPS UNLESS...

- The room humidity is stable and should be dry, clean and frost-free.
- All framework and cabinets are built and fully fitted/complete.
- All building dust and debris has been cleaned and cleared off site.
- All wet trades in the area are finished and a sufficient period of time allowed for natural drying.
- Fresh plasterwork in the area has been allowed to dry for a minimum of 6 weeks or until the plaster is dry throughout.





FIXING



It is important to ensure you have sufficient manpower to safely lift and handle these countertops - a minimum of 2 people is required, and the surfaces should be carried vertically along the width, never flat.

When planning the position of your Solid 12mm FENIX NTM® countertop, please note that:

A minimum gap of 2in (50mm) is left between your surface and heat generating appliances.

- A moisture barrier is advisable for fitted dishwashers, washing machines and tumble dryers.
- The maximum unsupported length of Solid FENIX NTM® surfaces is 10in (250mm).
- Drop-in sinks should be placed no closer than 6in away from any joint seams and at least 1.5in from the front of the countertop.

Solid FENIX 12mm NTM® countertops should be fixed to base cabinets using a 100% silicone sealant at a minimum distance of 24in (600mm) intervals. Screws are not suitable for securing these surfaces in place due to their thickness.

TILES OR WALL SURFACE

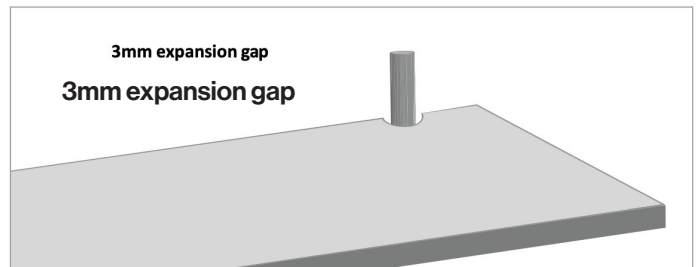


If you'd like to fit tiles above your Solid FENIX NTM® countertop, a small gap of at least 1/8in (3mm) is advisable to allow for the natural expansion of the work surface. Color matched 100% Silicone caulk must be used. This can also be done to any other wall surface.

BACKSPLASH

A backsplash can be made by cutting a 4in strip of the Solid FENIX NTM®. Adhere the strip to the wall with 100% Silicone caulk and a color matched 100% silicone Caulk can be applied to the corner joint.

PIPE HOLES



If holes need to be cut through the countertop, a space of at least 1/8in (3mm) should be included around the pipe to ensure there is room for the surface to expand and contract. 100% silicone sealant must be used to fill this gap.

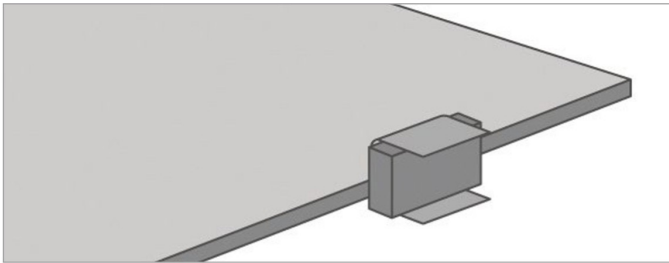


DISHWASHERS AND WASHING MACHINES



When installing a dishwasher or washing machine, ensure a protective moisture barrier is fitted correctly to the underside of your countertop.

EDGING



Solid 12mm FENIX NTM® countertops do not require any kind of edging strips. To finish edges, simply sand with a 240-grit sandpaper to soften the edge and then finish using Scotch-Brite™ with hard backer being careful not to sand the surface of the countertop. It is recommended that a small amount of linseed oil is applied to cut edges to achieve a smooth finish.

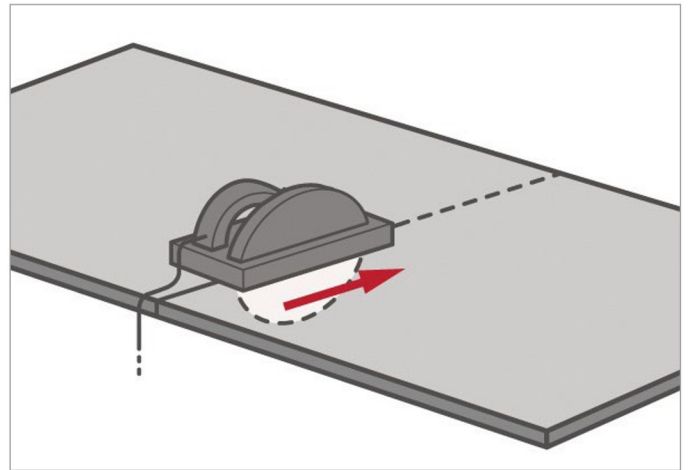
CUTTING AND ROUTING SOLID FENIX NTM® COUNTERTOPS

IMPORTANT

Before cutting countertops, double-check your measurements and ensure these are marked correctly with a pencil.

Solid 12mm FENIX NTM® countertops require clean, sharp cutting tools of a good quality to ensure cuts are precise and a professional finish is achieved. When making any cuts in your surface, it is important that it is fully supported.

CUTTING TO SIZE

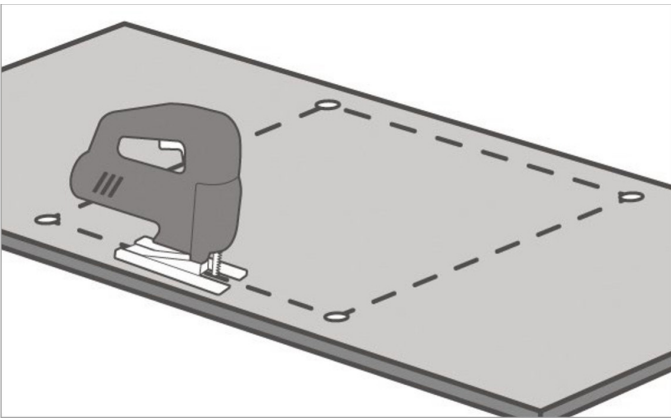
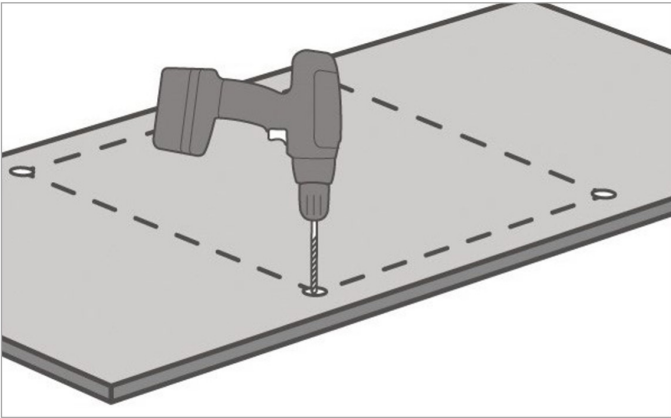


Note: Joint edges and final finished ends will require trimming to size when finished- please allow an additional 2-3mm for this.

1. The surface to be used should be faced down for cutting.
2. Clamp the guide in place to prevent movement when cutting.
3. After cutting, dry fit the countertop to ensure no chips or gaps can be seen- repeat steps 1 and 2 if additional adjustments need to be made.



CUT-OUTS FOR SINKS & OTHER ITEMS



When cutting-out for sinks or other inset items, double check measurements or use a jig template- ensuring that it is clamped into position to avoid movement. Sharp cutting tools are required to ensure neat cuts. It is also important to support the countertop while cutting.

Cutting can be done in two different ways depending on the visibility of the top edge of the work surface. Cuts that will be hidden (i.e., a cut-out to accommodate a drop-in sink can be started with a drill hole in each corner of the aperture, and the rest can be cut-out using a hand-held jigsaw, router cutter 1/2in (12mm) bit recommended or a circular saw with a rail guide and TCT triple chip blade).

For cuts that will be visible (i.e., a cut-out for an undermount sink), it is recommended that the work surface is cut face up using a hand router cutter 1/2in (12mm) bit.

It is important to dry fit the countertops to ensure a neat finish and good fit. Any issues should arise at this stage and can be rectified before edges are finished.

INSTALLING SINKS

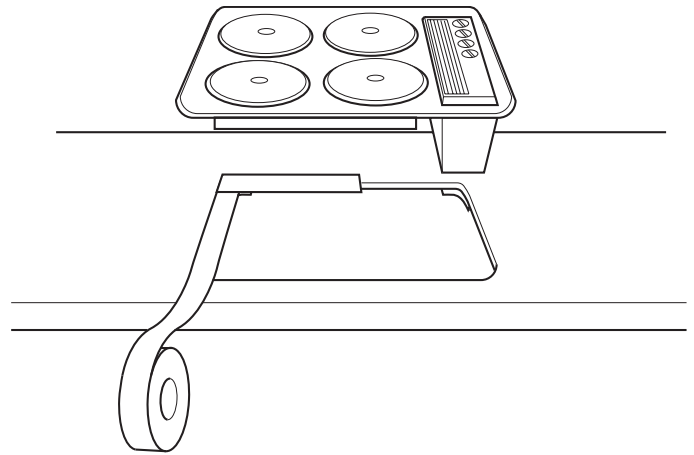
Note: farmhouse sinks are not recommended for installation with a Solid 12mm FENIX NTM® countertop. If this type of sink is being used, please refer to the installation instructions from the sink manufacturer.

Fitting a undermount sink in your Solid 12mm FENIX NTM® countertop, a small bead of silicone should be applied to the sink flange, secure with clips and wipe any excess will need to be wiped away while wet.

Keep-Nut® inserts are recommended for clip attachments.

INSTALLING DROP-IN STOVES

The gap between the cut-out should be a minimum of 1/8in with 2 layers of conductive foil tape applied.

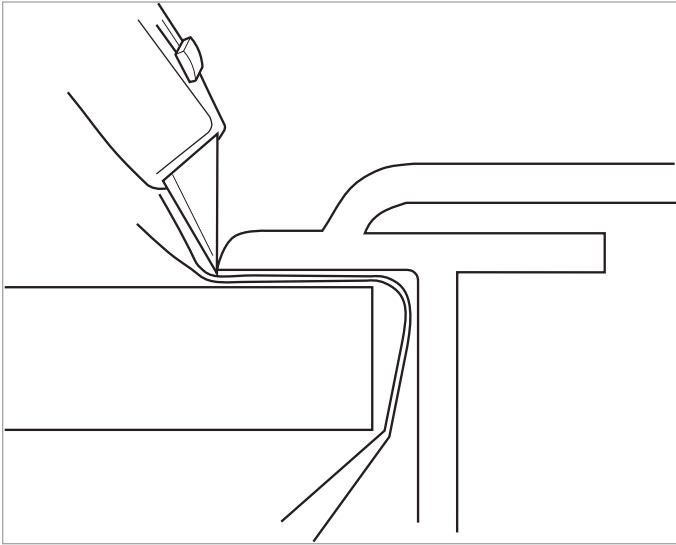


Apply two layers of heat conductive aluminum tape* as illustrated.

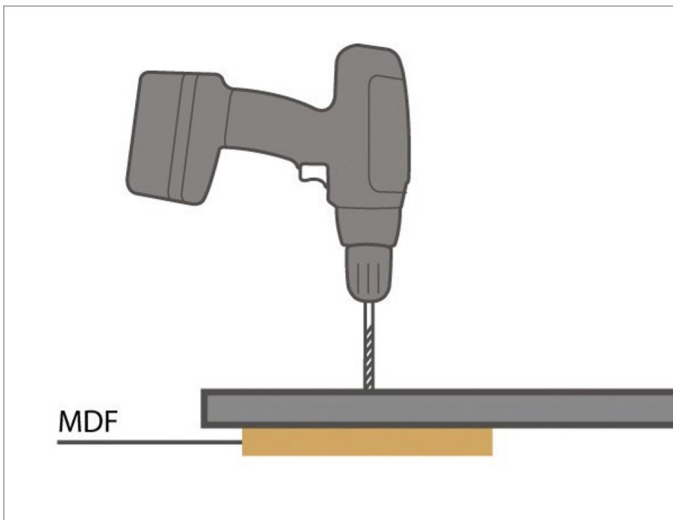
- Tape is bent back and separated on underside of provide better heat dissipation.
- Install cooktop into countertop.
- Cooktop flange must rest on aluminum tape.
- Gap between cooktop flange and cutout edge must be at least 1/8in (3mm) all around.



Cut away excess conductive aluminum tape with razor knife.



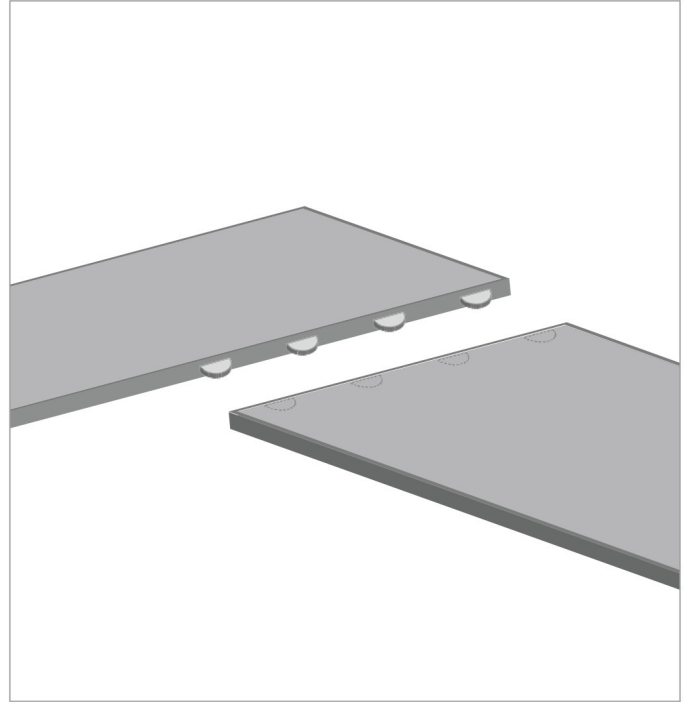
DRILLING



When drilling through the countertop completely, a sacrificial piece of MDF should be used on the underside of the hole to prevent flaking. For holes that do not need to go through the countertop completely, it is recommended a maximum hole depth of approximately 3/16in (8mm).

For tap holes, it is important to follow the manufacturer's instructions to ensure moisture does not enter the tap hole. We recommend using a 100% silicone sealant to seal the tap to the countertop to prevent moisture infiltration.

JOINTING COUNTERTOPS



A clear 2-part epoxy resin is needed to bond two countertops together and will also work as a waterproof sealant. Follow the instructions carefully to ensure the correct ratio of hardener to adhesive is used.

As Solid 12mm FENIX NTM® countertops can be joined as-is but this will result in a more visible connection. For a more discreet seam, a router can be used.

A biscuit joint is required to secure Solid 12mm FENIX NTM® countertops together, whether a straight connection, butt joint is being created or a miter joint for a corner being used.

1. Apply masking tape along the edge of the joint.
2. Mark out slot positions on the masking tape. We recommend 1 biscuit every 6in of joint.
3. Using a biscuit joiner, machine pockets to fit no. 20 biscuits. The pockets should be cut 5/32in (4mm) from the top face of the surface.
4. Once the slot has been cut, make sure biscuits fit.
5. Dry fit the two pieces to ensure a good fit. If gaps or chipping are visible, the edges will need re-trimmed.



6. When a neat finish has been achieved for the dry fit, clean the cut face of each countertop with alcohol and allow to evaporate.
7. Apply epoxy adhesive to biscuit grooves and a small bead along the upper edge of the joint.
8. Connect the two countertops in place and align the surfaces along the top edge. The countertops will need to be held in place using the suction cup method.
9. When the countertops have been secured in place, remove excess adhesive before it hardens for a smooth joint using solvent cleaner.

For a miter joint, the same steps can be undertaken as written above.

PLEASE NOTE

We warrant to purchasers of manufacturer's products that the products manufactured shall be free from defects in materials for a period of one (1) year from the date of purchase. This warranty applies only to properly installed products under normal use and wear.

CLEANING AND MAINTENANCE ADVICE

Your 12mm FENIX NTM® countertops are designed to withstand regular household use if they are maintained and cleaned appropriately. To clean your 12mm FENIX NTM® countertops safely and successfully, please follow these steps:

1. Leaving staining compounds in contact with your FENIX NTM® countertops is likely to make any problem worse. Always resolve any spillages quickly by rinsing with warm water and drying with a clean microfiber cloth.
2. If staining does occur, always clean a stain as soon as you notice it. Most simple stains can be cleaned using a damp microfiber cloth and a household degreaser. Stubborn stains can be removed with a Magic Sponge Eraser. Once you have removed a stain, always rinse thoroughly using water and a microfiber cloth. You can find more guidance on removing specific stains from your countertop at: www.fenixforinteriors.info
3. The unique microstructure of Solid 12mm FENIX NTM® countertops contributes to their unrivalled matte finish. It is therefore important to avoid damaging this microstructure during cleaning by scrubbing, or you risk creating a glossy spot in future. Never use an abrasive cream, scouring pad or hard brush to clean your countertops.

For full guidance on cleaning or maintaining your FENIX NTM® countertops, including the thermal healing of superficial micro-scratches, please refer to: www.fenixforinteriors.info



DISCLAIMER

This document gives general recommendations only. It serves as a general guide to good practice and constitutes no form of warranty or representation as to fitness for a particular purpose in respect of the products and processes described in it. Any information or products contained within this document must be verified and tested for suitability by the user for his or her particular purpose or specific application. Consideration needs to be given to local laws or regulations or specific circumstances. The content of this document reflects our knowledge and experience at the time of publication. The information provided in this document is solely indicative. We are unable to warrant the accuracy and completeness of this information. No rights can be derived from the information provided; the use of the information is at your own risk and responsibility. This document does not guarantee any properties of our products. We do not warrant that the information in this document is suitable for the purpose for which you consult it. Other than our express warranty, the document does not contain any design, structural calculation, estimate or other warranty or representation that may be relied on. Colors used in our communications (including but not limited to printed matter) and in samples of our products may differ from the colors of the products to be supplied. Our products and samples are produced within the specified color tolerances and the colors (of production batches) may differ, even if the same color is used. The viewing angle also influences the color perception. Customers and third parties must have a professional adviser inform them about (the suitability of) our products for all desired applications and about applicable laws and regulations. We reserve the right to change (the specifications for) our products without prior notice. The newest version of the document replaces all previous versions. We advise that the newest version may contain technical changes that must be taken into account when using the products. The latest version of the document may be consulted on our website (www.hartson-kennedy.com).

You should always check whether an updated version of the document is available.

Any warranty on the products may be voided if the (contents of the) latest version of this document, which may be updated from time to time, is not (properly) followed. We have made every effort to ensure the accuracy of the information in this document, but we cannot be held liable for any oversights, inaccuracies or typographical errors. To the maximum extent permitted under the applicable law, we shall not be liable (neither contractual nor non-contractual) for any damage arising from or related to the use of this document, except if and to the extent that such damage is the result of willful misconduct or gross negligence on our part. All our oral and written statements, offers, quotations, sales, supplies, deliveries and/or agreements and all related activities are governed by our general terms and conditions. All intellectual property rights and other rights regarding the content of this document (including logos, text and photographs) are owned by us and/or our licensors.

Hartson-Kennedy Inc.

522 West 22nd Street

Marion, IN 46953

(765) 668-8144

www.hartson-kennedy.com