

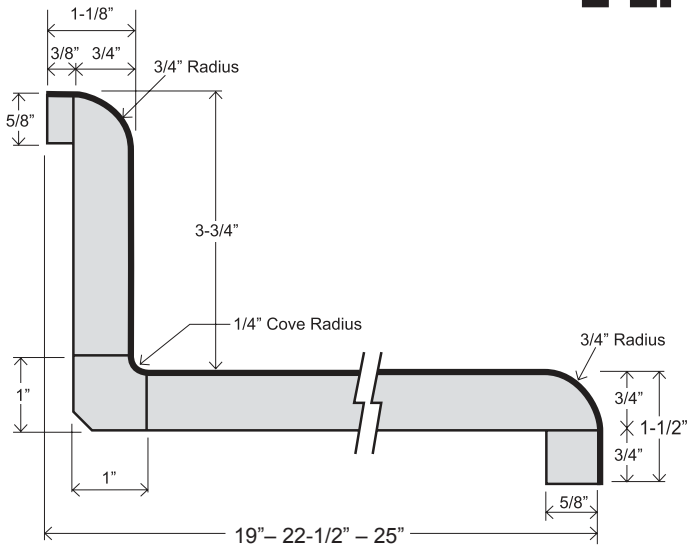


**Hartson  
Kennedy**  
est. 1948

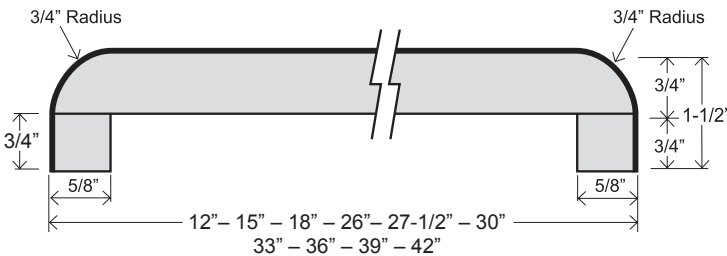
# ULTRA-TOP

## WATERFALL

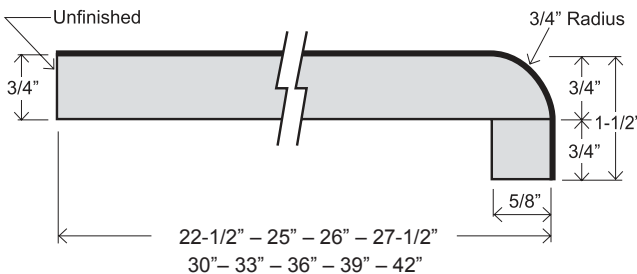
### SOUTHERN FRONT



**KITCHEN &  
VANITY TOP**  
WV 19  
WV 22-1/2  
WV 25



**BAR TOP**  
WB 12  
WB 15  
WB 18  
WB 26  
WB 27-1/2  
WB 30  
WB 33  
WB 36  
WB 39  
WB 42



**FLAT DECK  
TOP**  
WF 22-1/2  
WF 25  
WF 26  
WF 27-1/2  
WF 30  
WF 33  
WF 36  
WF 39  
WF 42

### FEATURES

- 3/4" radius front nose, 1-1/2" thick
- 1/4" cove radius for easy cleaning
- Featuring 1" x 1" cove molding
- 3/8" scribe for fitting out-of-square walls
- 5/8" front build-up for nesting on cabinet installation
- Kitchen and vanity tops feature 3-3/4" backsplash
- All bars feature 3/4" roll radius both sides
- Flat deck tops have 3/4" roll front radius, unfinished back side

**hk | Hartson-Kennedy Inc.**

### CORPORATE HEADQUARTERS

522 W. 22nd Street  
Marion, IN 46953  
Phone: (765) 668-8144 . Fax: (765) 662-3452

### GULFPORT, MS

10115 Lorraine Road  
Gulfport, MS 39503  
Phone: (228) 896-1548 . Fax: (228) 896-5905

### MACON, GA

4255 Interstate Drive  
Macon, GA 31210  
Phone: (478) 474-0266 . Fax: (478) 477-7689

Visit our website:

[www.hartson-kennedy.com](http://www.hartson-kennedy.com)

