

ULTRA-TOP

NO-DRIP 25-1/4"
1-1/2" FRONT NOSE

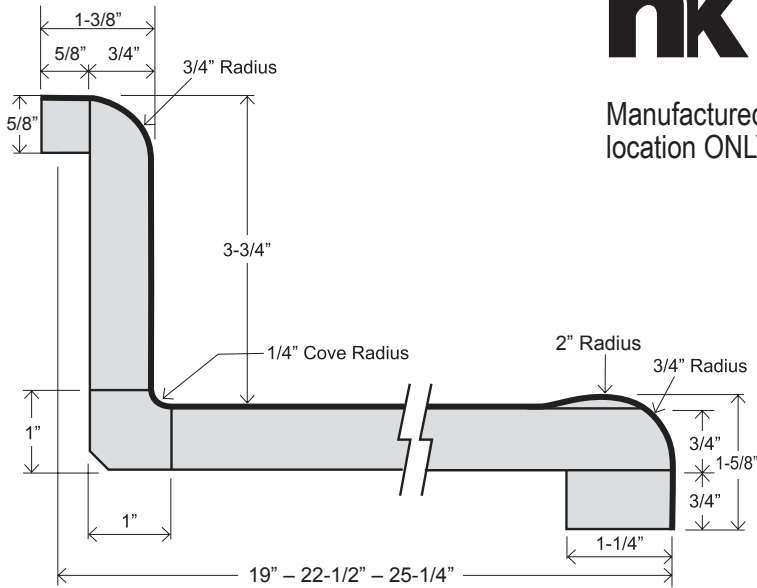


Manufactured at Marion, Indiana
location ONLY

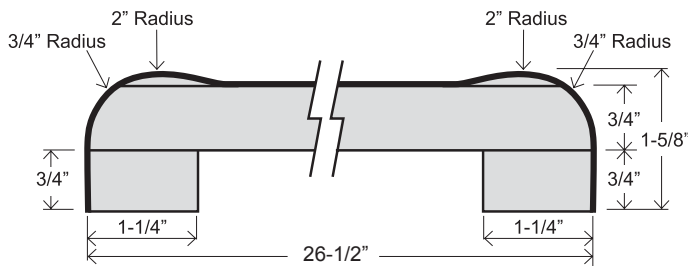
Specification
FOR PLYWOOD

FEATURES

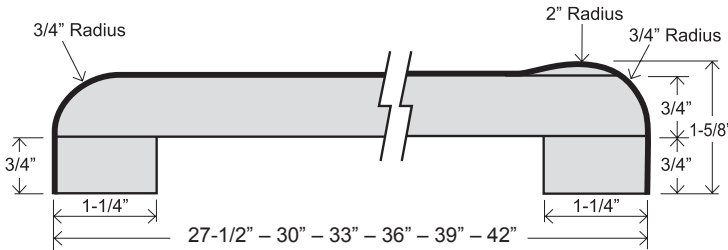
- 19mm plywood core
- No-drip front nose, 1-1/2" thick
- 1/4" cove radius for easy cleaning
- Featuring MDF 1" x 1" cove molding
- 5/8" MDF scribe for fitting out-of-square walls
- 1-1/4" front build-up for floating countertop installation
- Kitchen and vanity tops feature 3-3/4" backsplash
- 26-1/2" standard bars are no-drip both sides
- Wide bars are no-drip one side with 3/4" roll radius back side
- Flat deck tops have no-drip front nose, unfinished back side



KITCHEN & VANITY TOP
UFV 19
UFV 22-1/2
UFK 25-1/4

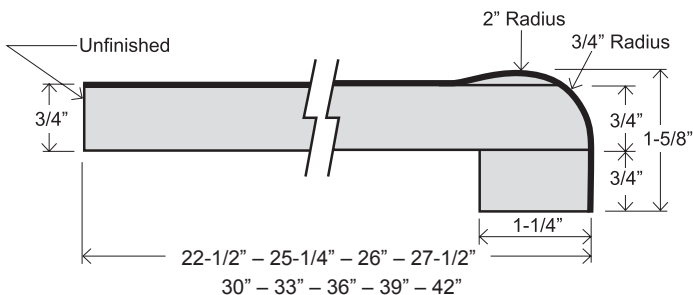


BAR TOP
UFB 26-1/2



BAR TOP
UFB 27-1/2
UFB 30
UFB 33
UFB 36
UFB 39
UFB 42

NOTE: 12", 15", 18" Available in Waterfall style



FLAT DECK TOP
UFF 22-1/2
UFF 25-1/4
UFF 26
UFF 27-1/2
UFF 30
UFF 33
UFF 36
UFF 39
UFF 42



CORPORATE HEADQUARTERS

522 W. 22nd Street
Marion, IN 46953
Phone: (765) 668-8144
Fax: (765) 662-3452

Visit our website:

www.hartson-kennedy.com

