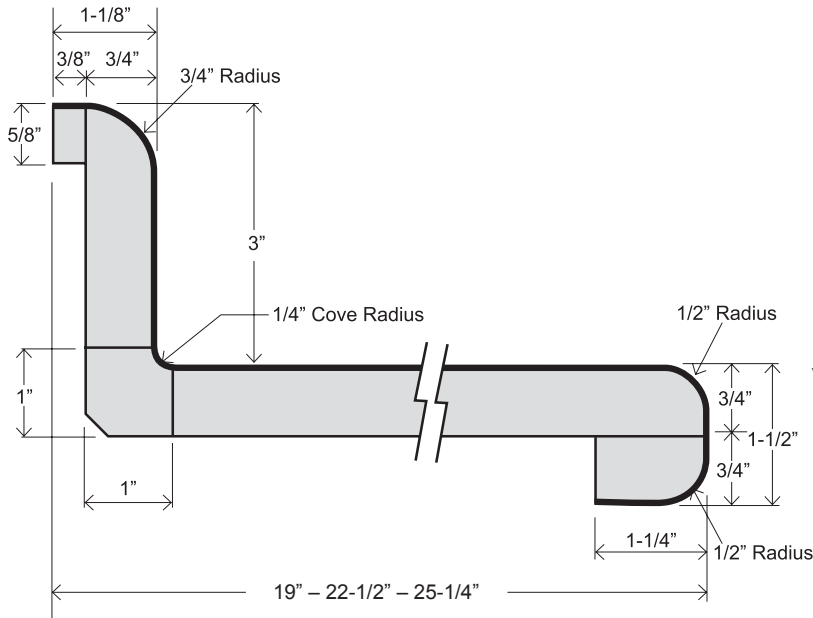


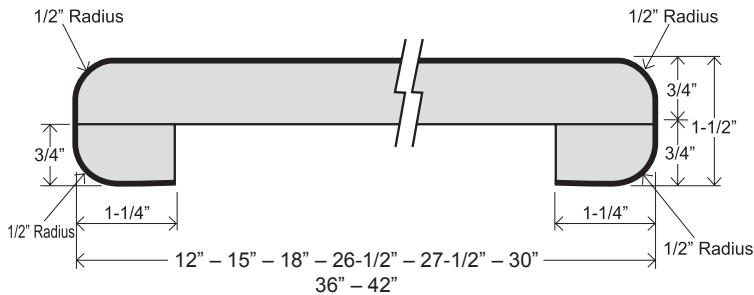
Specification  
FOR PLYWOOD

**FEATURES**

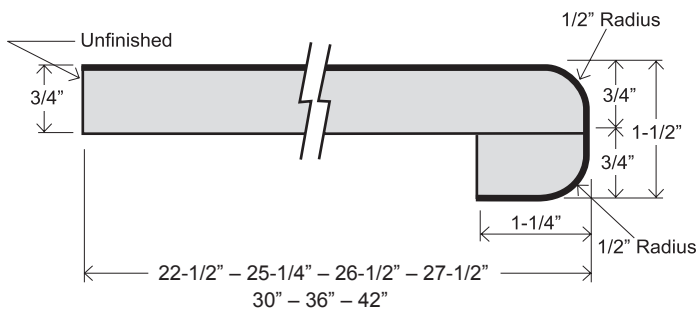
- 19mm plywood core
- European profile front nose, flat face with double radius, 1-1/2" thick
- 1/4" cove radius for easy cleaning
- Featuring MDF 1" x 1" cove molding
- 3/8" MDF scribe for fitting out-of-square walls
- 1-1/4" front build-up for floating countertop installation
- Kitchen and vanity tops feature 3" backsplash
- All bars feature double radius both sides
- Flat deck tops have flat face with double radius front side, unfinished back side



**KITCHEN & VANITY TOP**  
EwV 19  
EwV 22-1/2  
EwK 25-1/4



**BAR TOP**  
EwB 12  
EwB 15  
EwB 18  
EwB 26 -1/2  
EwB 27-1/2  
EwB 30  
EwB 36  
EwB 42



**FLAT DECK TOP**  
EwF 22-1/2  
EwF 25-1/4  
EwF 26-1/2  
EMF 27-1/2  
EwF 30  
EwF 36  
EwF 42

**CORPORATE HEADQUARTERS**

522 W. 22nd Street  
Marion, IN 46953  
Phone: (765) 668-8144  
Fax: (765) 662-3452

**SHOWROOM LOCATIONS**

Gulfport, MS | Macon, GA  
Statesboro, GA | Atlanta, GA

Visit our website:

[www.hartson-kennedy.com](http://www.hartson-kennedy.com)

