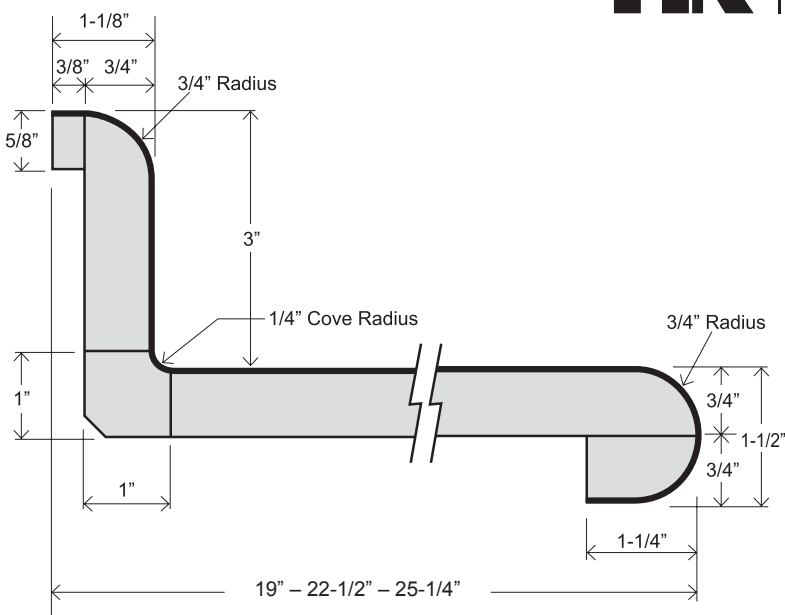


Specification
FOR PLYWOOD

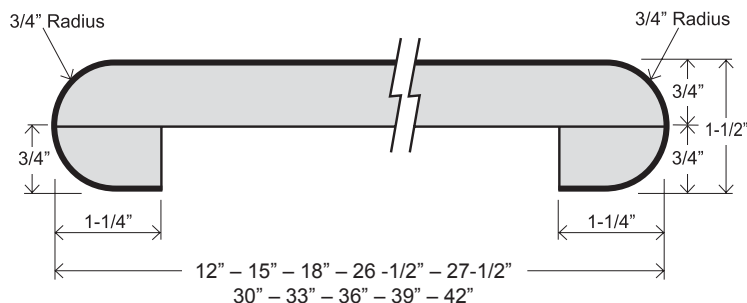
FEATURES

- 19mm plywood core
- 180° front nose, 1-1/2" thick
- 1/4" cove radius for easy cleaning
- Featuring MDF 1" x 1" cove molding
- 3/8" MDF scribe for fitting out-of-square walls
- 1-1/4" front build-up for floating countertop installation
- Kitchen and vanity tops feature 3" backsplash
- All bars feature 180° wrap both sides
- Flat deck tops have 180° wrap front side, unfinished back side



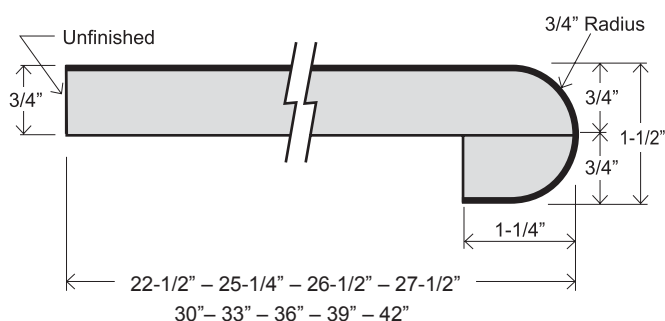
KITCHEN & VANITY TOP

- EMV 19
- EMV 22-1/2
- EMK 25-1/4



BAR TOP

- EMB 12
- EMB 15
- EMB 18
- EMB 26-1/2
- EMB 27-1/2
- EMB 30
- EMB 33
- EMB 36
- EMB 39
- EMB 42



FLAT DECK TOP

- EMF 22-1/2
- EMF 25-1/4
- EMF 26-1/2
- EMF 27-1/2
- EMF 30
- EMF 33
- EMF 36
- EMF 39
- EMF 42

CORPORATE HEADQUARTERS

522 W. 22nd Street
Marion, IN 46953
Phone: (765) 668-8144
Fax: (765) 662-3452

Visit our website:

www.hartson-kennedy.com