

HARTSON

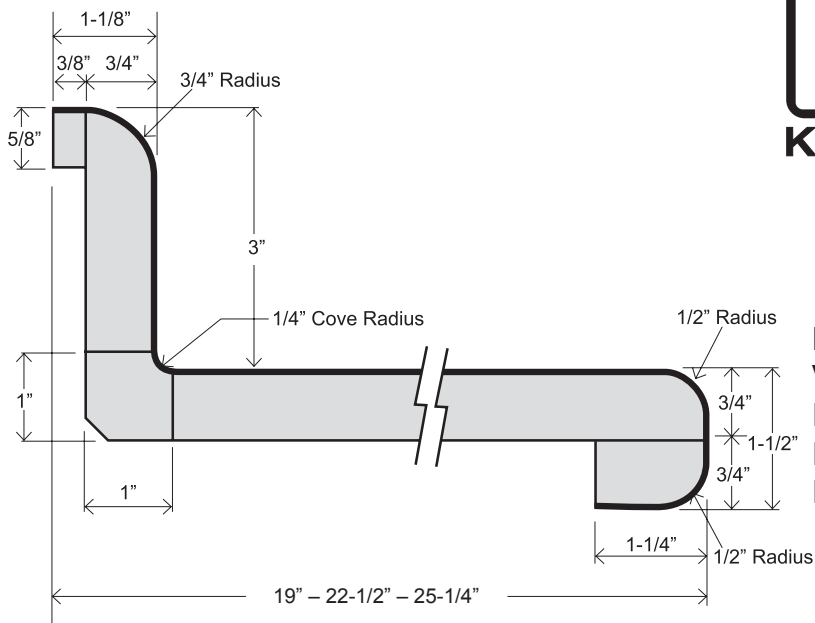


E-TOP #2000 (EUROPEAN STYLE)

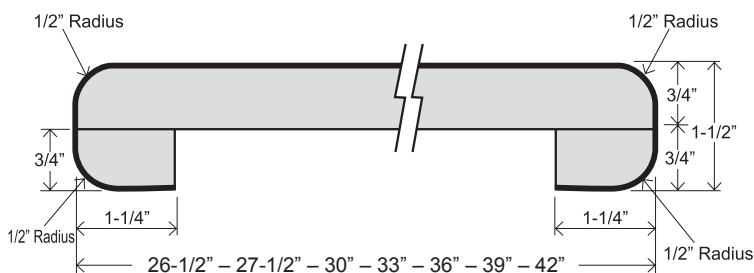
Specification
FOR PLYWOOD

FEATURES

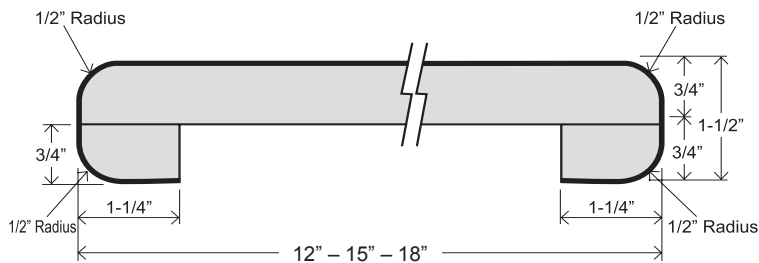
- 19mm plywood core
- European profile front nose, flat face with double radius, 1-1/2" thick
- 1/4" cove radius for easy cleaning
- Featuring MDF 1" x 1" cove molding
- 3/8" MDF scribe for fitting out-of-square walls
- 1-1/4" front build-up for floating countertop installation
- Kitchen and vanity tops feature 3" backsplash
- All bars feature double radius both sides
- Flat deck tops have flat face with double radius front side, unfinished back side



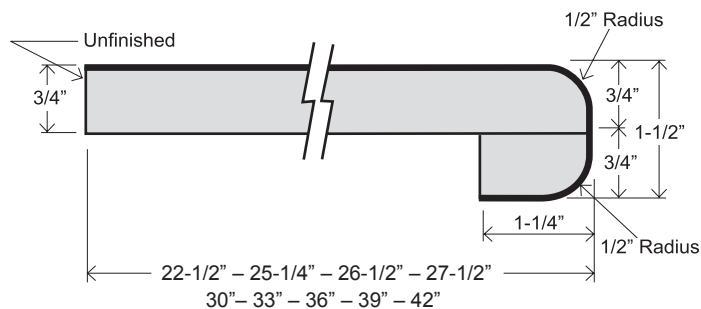
KITCHEN & VANITY TOP
 EWB 19
 EWB 22-1/2
 EWB 25-1/4



BAR TOP
 EWB 26 -1/2
 EWB 27-1/2
 EWB 30
 EWB 33
 EWB 36
 EWB 39
 EWB 42



BAR TOP
 EWB 12
 EWB 15
 EWB 18



FLAT DECK TOP
 EWF 22-1/2
 EWF 25-1/4
 EWF 26-1/2
 EMF 27-1/2
 EWF 30
 EWF 33
 EWF 36
 EWF 39
 EWF 42

Unsurpassed professional quality... the trade mark of

Form# SDS-248F - P
Rev. 07/15/22

HARTSON-KENNEDY



surfaces for living.

**HARTSON-KENNEDY
CABINET TOP CO., INC.**
 CORPORATE HEADQUARTERS
 522 W. 22nd Street
 Marion, IN 46953
 Phone: (765) 668-8144 . Fax: 765-662-3452

10115 Lorraine Road
 Gulfport, MS 39503
 Phone: (228) 896-1548 . Fax: 228-896-5905

4255 Interstate Drive
 Macon, GA 31210
 Phone: (478) 474-0266 . Fax: 800-477-7689

Visit our website:
www.hartson-kennedy.com