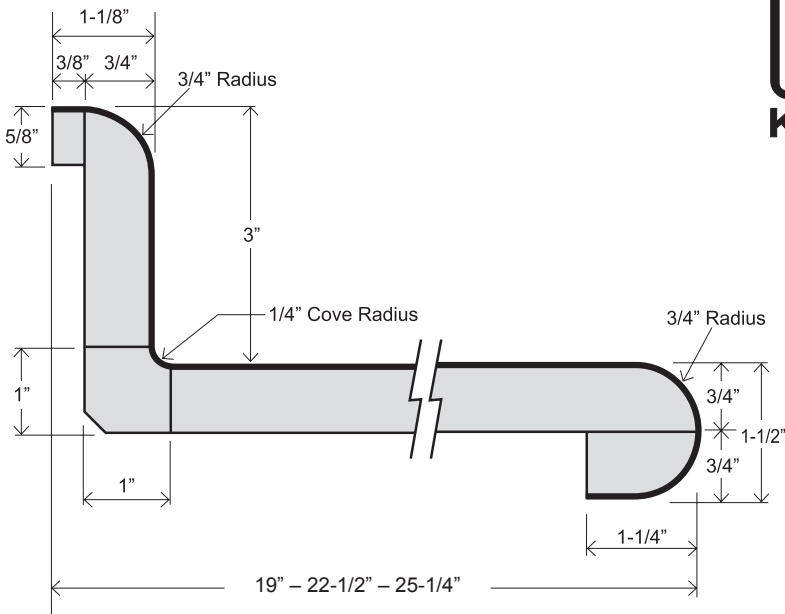


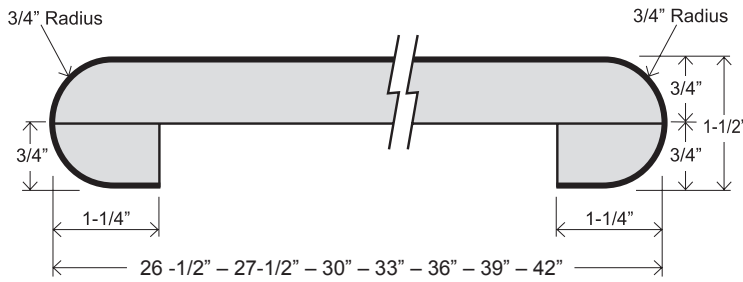
Specification
FOR PLYWOOD

FEATURES

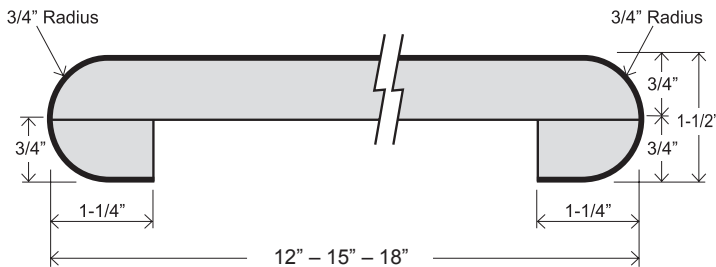
- 19mm plywood core
- 180° front nose, 1-1/2" thick
- 1/4" cove radius for easy cleaning
- Featuring MDF 1" x 1" cove molding
- 3/8" MDF scribe for fitting out-of-square walls
- 1-1/4" front build-up for floating countertop installation
- Kitchen and vanity tops feature 3" backsplash
- All bars feature 180° wrap both sides
- Flat deck tops have 180° wrap front side, unfinished back side



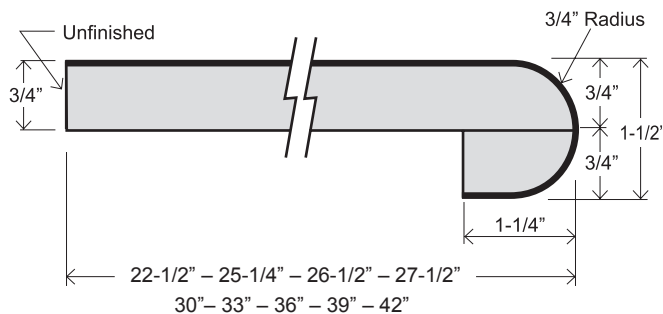
KITCHEN & VANITY TOP
EMV 19
EMV 22-1/2
EMV 25-1/4



BAR TOP
EMB 26 -1/2
EMB 27-1/2
EMB 30
EMB 33
EMB 36
EMB 39
EMB 42



BAR TOP
EMB 12
EMB 15
EMB 18



FLAT DECK TOP
EMF 22-1/2
EMF 25-1/4
EMF 26-1/2
EMF 27-1/2
EMF 30
EMF 33
EMF 36
EMF 39
EMF 42

HARTSON-KENNEDY
CABINET TOP CO., INC.

CORPORATE HEADQUARTERS
522 W. 22nd Street
Marion, IN 46953
Phone: (765) 668-8144 . Fax: 765-662-3452

10115 Lorraine Road
Gulfport, MS 39503
Phone: (228) 896-1548 . Fax: 228-896-5905

4255 Interstate Drive
Macon, GA 31210
Phone: (478) 474-0266 . Fax: 800-477-7689

Visit our website:
www.hartson-kennedy.com



surfaces for living.

Unsurpassed professional quality... the trade mark of

Form# SDS-248E - P
Rev. 07/15/22

HARTSON-KENNEDY

