

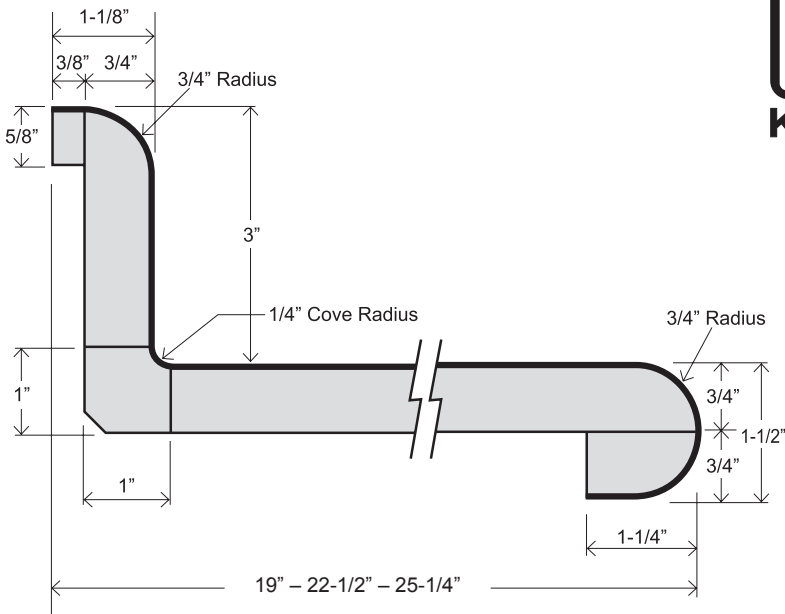
HARTSON



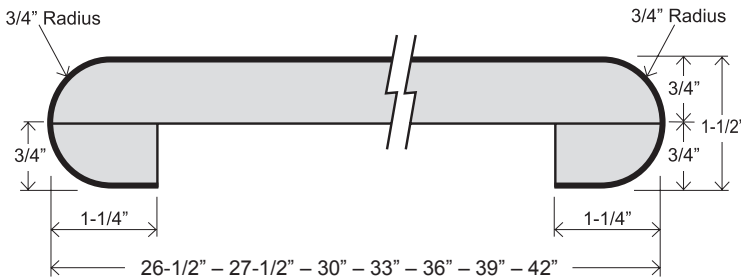
# E-TOP #1500 (EUROPEAN STYLE)

## FEATURES

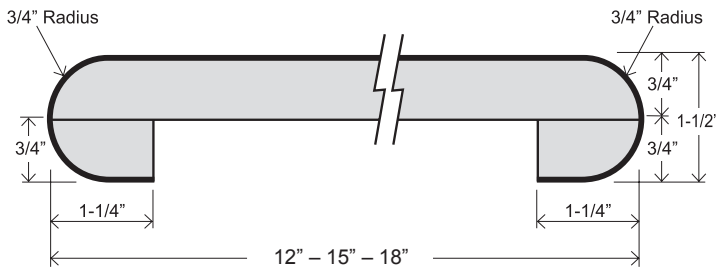
- 180° front nose, 1-1/2" thick
- 1/4" cove radius for easy cleaning
- Featuring 1" x 1" cove molding
- 3/8" scribe for fitting out-of-square walls
- 1-1/4" front build-up for floating countertop installation
- Kitchen and vanity tops feature 3" backsplash
- All bars feature 180° wrap both sides
- Flat deck tops have 180° wrap front side, unfinished back side



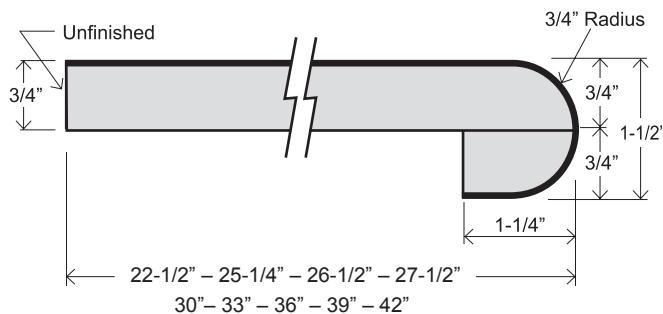
**KITCHEN & VANITY TOP**  
EMV 19  
EMV 22-1/2  
EMK 25-1/4



**BAR TOP**  
EMB 26 -1/2  
EMB 27-1/2  
EMB 30  
EMB 33  
EMB 36  
EMB 39  
EMB 42



**BAR TOP**  
EMB 12  
EMB 15  
EMB 18



**FLAT DECK TOP**  
EMF 22-1/2  
EMF 25-1/4  
EMF 26-1/2  
EMF 27-1/2  
EMF 30  
EMF 33  
EMF 36  
EMF 39  
EMF 42

Unsurpassed professional quality... the trade mark of

Form# SDS-248E  
Rev. 07/15/22

**HARTSON-KENNEDY**



surfaces for living.

## HARTSON-KENNEDY CABINET TOP CO., INC.

CORPORATE HEADQUARTERS  
522 W. 22nd Street  
Marion, IN 46953  
Phone: (765) 668-8144 . Fax: 765-662-3452

10115 Lorraine Road  
Gulfport, MS 39503  
Phone: (228) 896-1548 . Fax: 228-896-5905

4255 Interstate Drive  
Macon, GA 31210  
Phone: (478) 474-0266 . Fax: 800-477-7689

Visit our website:  
[www.hartson-kennedy.com](http://www.hartson-kennedy.com)